

WFE9546SD

90cm electric freestanding oven with 5 zone ceramic cooktop, multi-function 8 oven, AirFry, 125L gross capacity, and Hob2Hood.

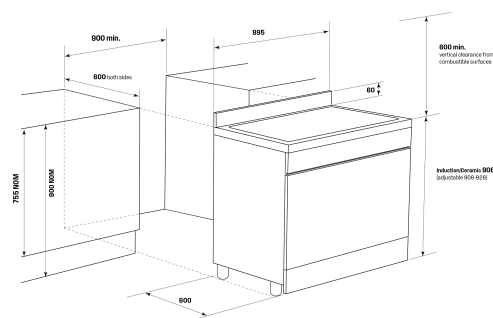
Features

- AirFry
- Fast Heat Up
- Twin Fan System
- Telescopic runners
- Large 125L gross oven capacity
- 2.3kW powerful zone
- Triple Zone
- Hob2Hood
- Dual Zone
- Cooler touch door
- Programmable timer
- Hot surface indicator
- Triple glazed oven door glass
- Handy storage compartment
- Fingerprint resistant stainless steel
- Clip-on plinth included



90cm freestanding cooker

WFE9546SD,
WFE9757DD



IMPORTANT
These dimensions are a guide only. All measurements are in millimetres (mm).
For complete installation instructions, refer to the manual provided with product.

Product Dimension

Total height (mm) - 906, Total width (mm) - 895, Total depth (mm) - 600

Flush fit cut out

Flush fit cut out height (mm) - 900, Flush fit cut out width (mm) - 900, Flush fit cut out depth (mm) - 600